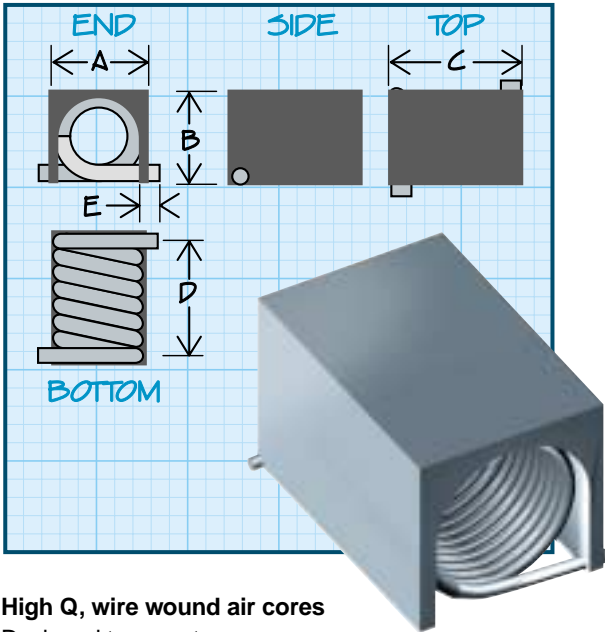


**Air Core Inductors**

RF INDUCTORS



**High Q, wire wound air cores**

Designed to operate over a wide frequency range.

**Physical Parameters**

	Inches	Millimeters
A Max	0.250	6.35
B Max	0.235	5.97
C Max	0.420	10.67
D	0.314±.020	7.98±0.510
E	0.032 ± 0.025	0.813 ± 0.635
F	0.394	10.00
G	0.095	2.42
H	0.185	4.70
I	0.080	2.03
J	0.234	5.95

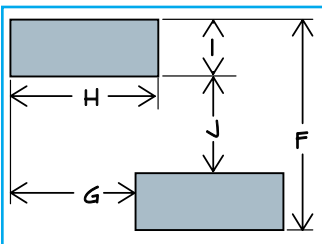
**Operating Temperature Range** -55°C to +125°C

**Inductance and Q** tested on HP4291A using HP16193A test fixture and correlation

**Packaging** Tape & reel (24mm): 13" reel, 800 pieces max.; 7" reel not available

**Intermediate values** Available upon request.

*Made in the U.S.A.*



DASH NUMBER\*

TURNS (Ref.)

INDUCTANCE (nH) ±5%

Q MINIMUM

TEST FREQUENCY (MHz)

CURRENT RATING MAX. (Amps)

SRF MINIMUM (MHz)

SERIES 5526						
-1	9	90	95	50	3.5	1140
-2	10	111	87	50	3.5	1020
-3	11	130	87	50	3.0	900
-4	12	169	95	50	3.0	875
-5	13	206	95	50	3.0	800
-6	14	222	92	50	3.0	730
-7	15	246	95	50	3.0	685
-8	16	307	95	50	3.0	660
-9	17	380	95	50	2.5	590
-10	18	420	95	50	2.5	540
-11	19	491	95	50	2.0	535
-12	20	538	87	50	2.0	490

\*Complete part # must include series # PLUS the dash #

For further surface finish information, refer to TECHNICAL section of this catalog.